



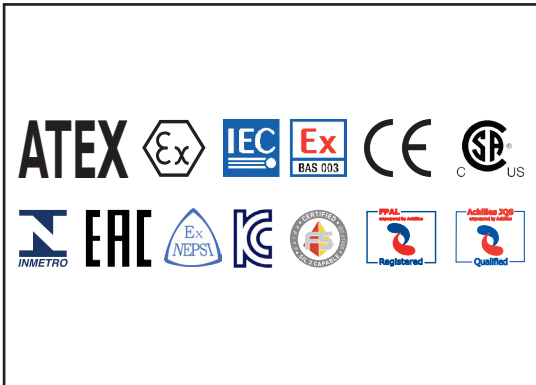
Bifold Compact Linear Electro Hydraulic Power Unit

- **Low Power** - Under 0.1W continuous power
- **High Speed** - Range of motor and pump combinations up to 11 l/min
- **High Accuracy** - Integrated Linear Position Transducer better than 0.1% resolution
- **High Pressure** - Up to 690 bar system working pressure
- **High Capability** - Smart Positioner with on screen diagnostics and signatures, HART, Modbus and Bluetooth Comms
- **High Level of Flexibility** - Configurable valve assemblies for all control logic requirements including additional on/off valve actuation

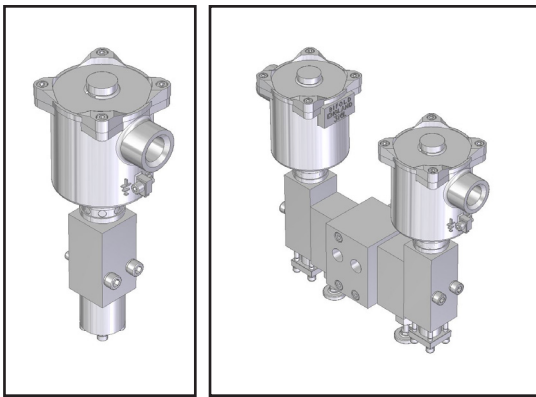


Features & Benefits

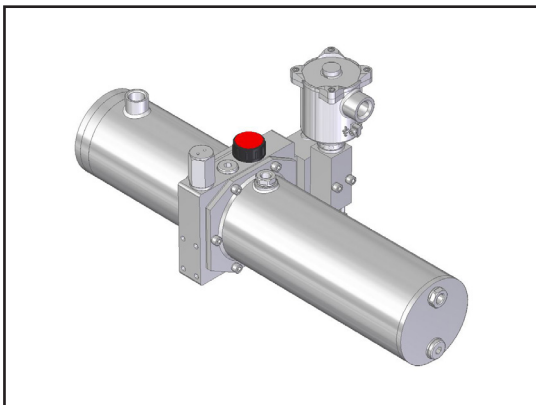
Worldwide Approvals



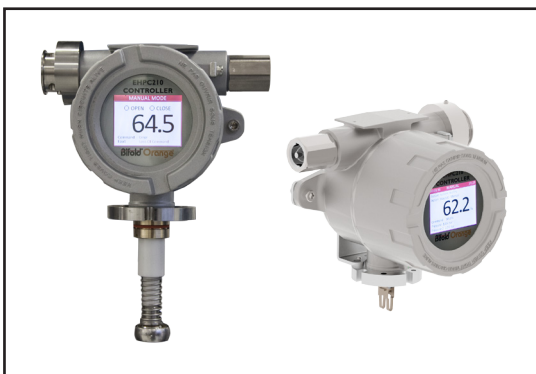
Solenoid Operator is Free to Rotate 360°



Electro-Hydraulic Power Pack



EHPC210 Controller



Standard Solenoid Operator Equipment Design & Build

- Solenoid Operator Worldwide Approvals
- Solenoid operator is free to rotate 360° allowing for an easy cable layout and ease of connection wiring. Solenoid operator internals rotate with the enclosure and prevent cables being pulled out of terminal block.
- Worldwide technical and field support.
- Standard solenoid valve can be mounted in any orientation to simplify installation due to all the components having enhanced rotational capabilities.

Electro-Hydraulic Power Pack

- Bifold's fully self contained, compact units are a lowest cost solution for actuated process valves and associated installation costs are low. The very low power requirements permit these power packs to be used in remote locations in conjunction with small area, solar panels and rechargeable battery systems, with a consequential zero carbon footprint.

The compact, modular design eliminates all control system tubing, apart from the interconnecting tube or flexible hose connecting the actuator to the power unit. The potential for fluid leakage from tube fitting connections is, therefore, virtually eliminated.

EHPC210 Controller

- Bifold Orange provide a wide range of electronic control and positioner solutions for use in hydraulic and pneumatic valve actuation. The EHPC210 Universal Controller is the most advanced controller in the range allowing the same platform to be used for hydraulic and pneumatic positional and partial test actuator systems. This incorporates graphic display, bluetooth communications, integral valve feedback measurement, low power modes, ESD monitoring and control, Partial Stroke Test and local control setting switch. The enclosure assembly allows installation in zone 1 or 2 hazardous areas.

Accuracy of information
We take care to ensure that product information in this catalogue is reasonably accurate and up-to-date. However, our products are continually developed and updated so to ensure accurate and up-to-date information please refer to the product catalogue issue list on our web site or contact a member of our sales team.

When selecting a product, the applicable operating system design must be considered to ensure safe use. The products function, material compatibility, adequate ratings, correct installation, operation and maintenance are the responsibilities of the system designer and user.

Quality Assurance
All Bifold products are manufactured to a most stringent QA programme to ensure that every product will give optimum performance and reliability. We are third party certified to EN ISO 9001:2008. Functional test certificates, letter of conformity and copies of original mill certificates, providing total traceability are available on request, to BS EN 10204.3.1.B where available. We reserve the right to make changes to the specifications and design etc., without prior notice.